

## LINGUETA TRÊS PONTOS SEM RESSALTO EM AÇO INOX 304

Lingueta três pontos para montagem em buchas com limitador de rotação interno. Projeta o varão 20mm, fornecida com anel trava "E".

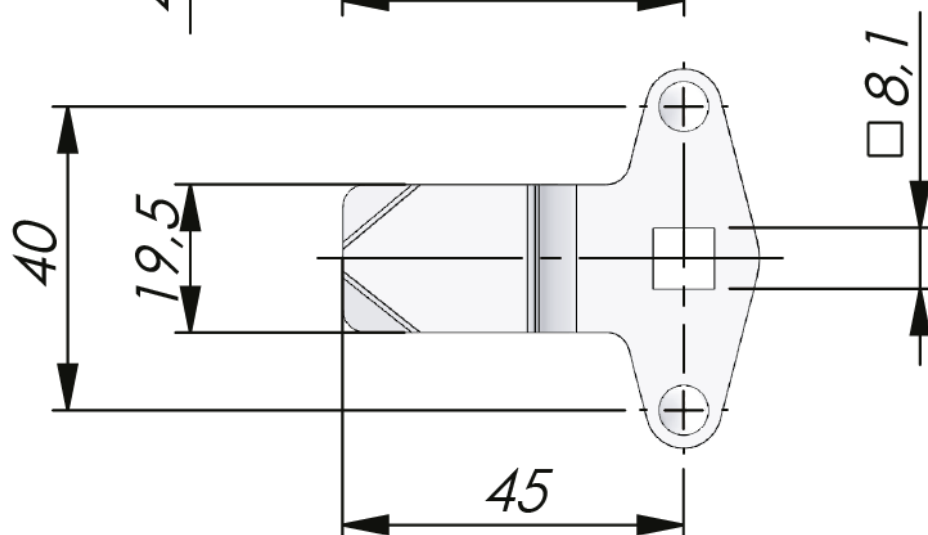
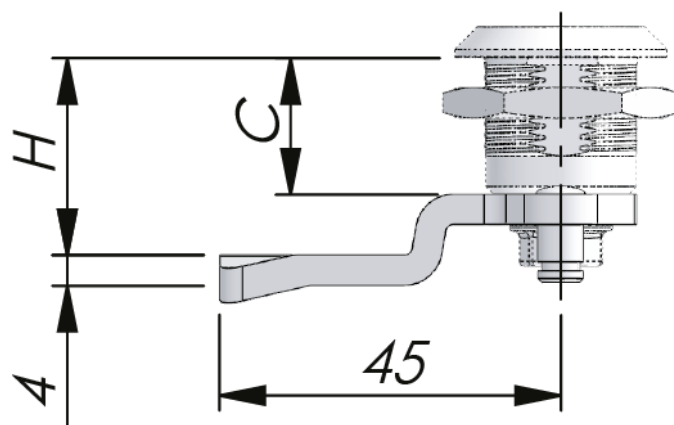
No desenho,

A = representa a projeção

C = Comprimento da Bucha

H = medida entre a face externa da porta até o ponto de travamento no quadro.

Outras dimensões e versões podem ser fornecidas sob encomenda.



### MATERIAL

Cam : Zamak, cromado

### RELATED PRODUCTS

Other materials: 2-491

Rods: 2-540, 2-541, 2-545

Protective cap: 2-480

Use the Index Code at [industrilas.com](http://industrilas.com)

P/N	Descrição	C=12	C=18	C=30	C=45	C=56
2330S01-U	---	-	4	16	31	42
2330S02-U	---	-	6	18	33	44
2330S03-U	---	2	8	20	35	46
2330S04-U	---	4	10	22	37	48
2330S05-U	---	6	12	24	39	50
2330S07-U	---	8	14	26	41	52
2330S08-U	---	10	16	28	43	54
2330S09-U	Straight cam	12	18	30	45	56
2330S10-U	---	14	20	32	47	58
2330S11-U	---	16	22	34	49	60
2330S12-U	---	18	24	36	51	62
2330S14-U	---	20	26	38	53	64
2330S15-U	---	22	28	40	55	66
2330S16-U	---	24	30	42	57	68
2330S17-U	---	26	32	44	59	70
2330S18-U	---	28	34	46	61	72
2330S20-U	---	30	36	48	63	74
2330S21-U	---	32	38	50	65	76
2330S22-U	---	34	40	52	67	78
2330S23-U	---	36	42	54	69	80
2330S24-U	---	38	44	56	71	82
2330S27-U	---	44	50	62	77	88
2330S28-U	---	42	48	60	75	86
2330S29-U	---	40	46	58	73	84

H in mm when housing length C=12, 18, 30, 45 or 56 mm.